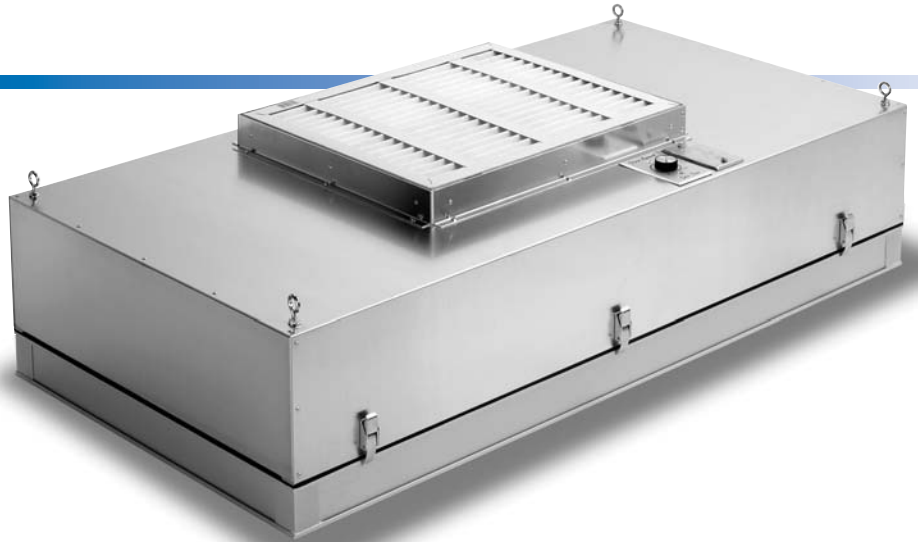




## FM2-LE

### **Self-Contained, Energy Efficient Fan/Filter Modules for Cleanroom Applications**



The FM2-LE is a self-contained fan/HEPA filter module for cleanroom applications. It can be used to upgrade existing cleanrooms or to convert existing space into a cleanroom without additional ductwork or air handling equipment. The modules can be used in most conventional ceiling grids or may be suspended independently. FM2-LE modules are available in 2' x 2', 2' x 3', and 2' x 4' sizes.

#### **ENERGY EFFICIENT**

FM2-LE modules are energy efficient. Each module utilizes a rugged AC motorized impeller rated at 2.4 amps at start up and approximately 2 amps while in operation. The aluminum backward curved impeller is lightweight has a long service life. All motors are dynamically balanced and 100% quality inspected.

#### **STANDARD FEATURES**

- **Extruded aluminum filter cell sides**
- **AstroCel® II HEPA filter, 99.99% efficient on 0.3 micrometer particles, 2" deep minipleat media pack. HEPA meets UL 586 and UL 900**
- **White expanded metal faceguard on the downstream side of the filter**
- **16 gauge mill finish aluminum pressure housing with 4 support points for hanging**
- **115V, 60 Hz, 1 phase energy efficient backward curved motorized impeller wired junction box**

- **Solid state, variable speed control**
- **All electrical components UL Classified**
- **PerfectPleat® HC 1" deep prefilter with DuraFlex® media, MERV 7**

#### **OPTIONS**

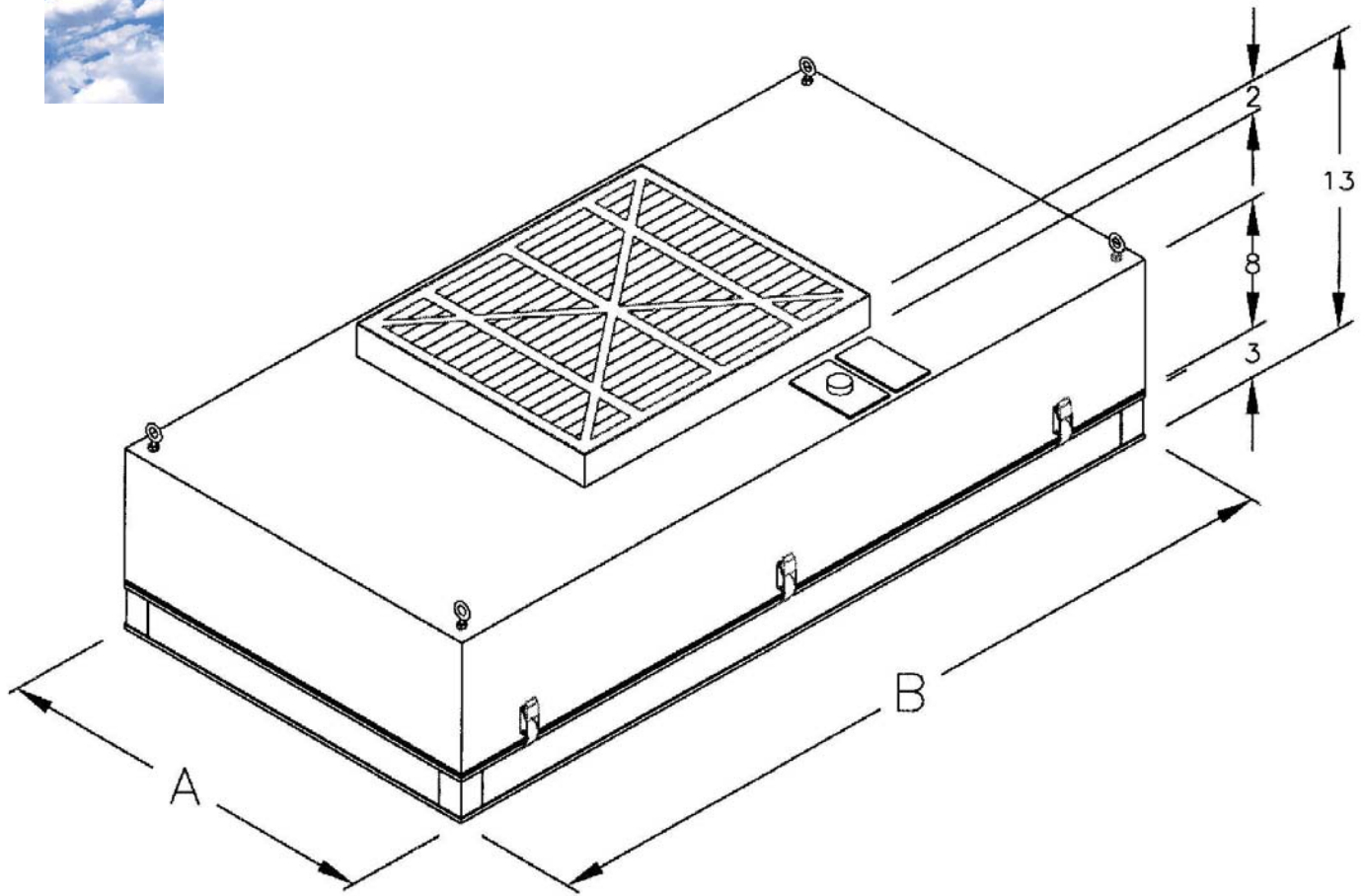
- **Duct connection (10" or 12" diameter) in lieu of prefilter**
- **Power cord**
- **Center divider with test port in filter**
- **ULPA filter, 99.9995% efficient on 0.1 - 0.2 micrometer particles, scanned**
- **3" or 4" deep HEPA or ULPA filter**
- **Knife edge filters for gel grid systems**
- **230 volt , 60 Hz motor**
- **Stainless steel faceguard**



*Latches seal and hold the AstroCel® filter securely to the module.*



# FM2-LE Fan/Filter Module



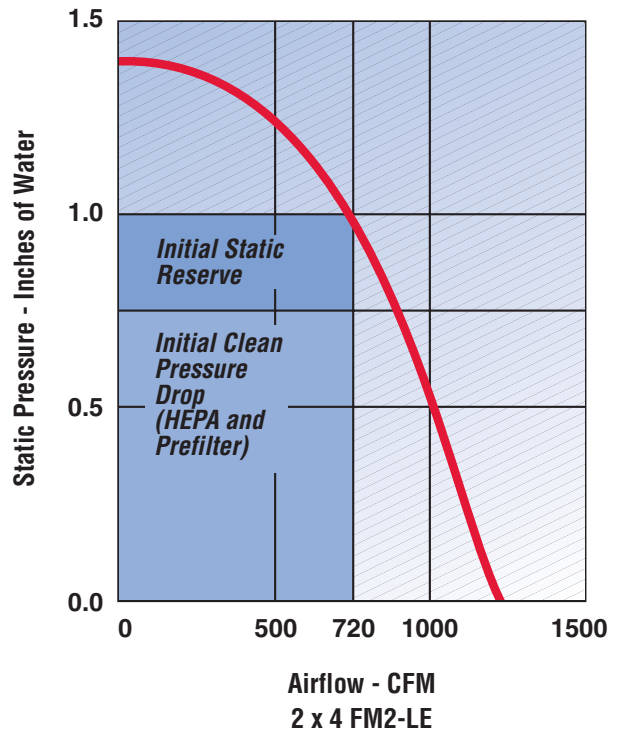
## DIMENSIONS

PART NUMBER	A	B	UNIT WGT (LBS)	UNIT WGT (LBS)
3010352 -002	23-5/8	23-5/8	26	30
3010345 -002	23-5/8	35-5/8	40	50
3010337 -002	23-5/8	47-5/8	53	60

## Rated Airflow

PART NUMBER	CFM
3010352 -002	720 CFM
3010345 -002	540 CFM
3010337 -002	360 CFM

Performance is based on rated airflow.



10300 ORMSBY PARK PL STE 600  
 LOUISVILLE KY 40223-6169  
 P O BOX 35690  
 LOUISVILLE KY 40232-5690  
 www.aafintl.com

For Additional Information On AAF Products,  
 Call Customer Service  
**888.AAF.2003**

